

# RH Series

105°C, High Ripple Current.

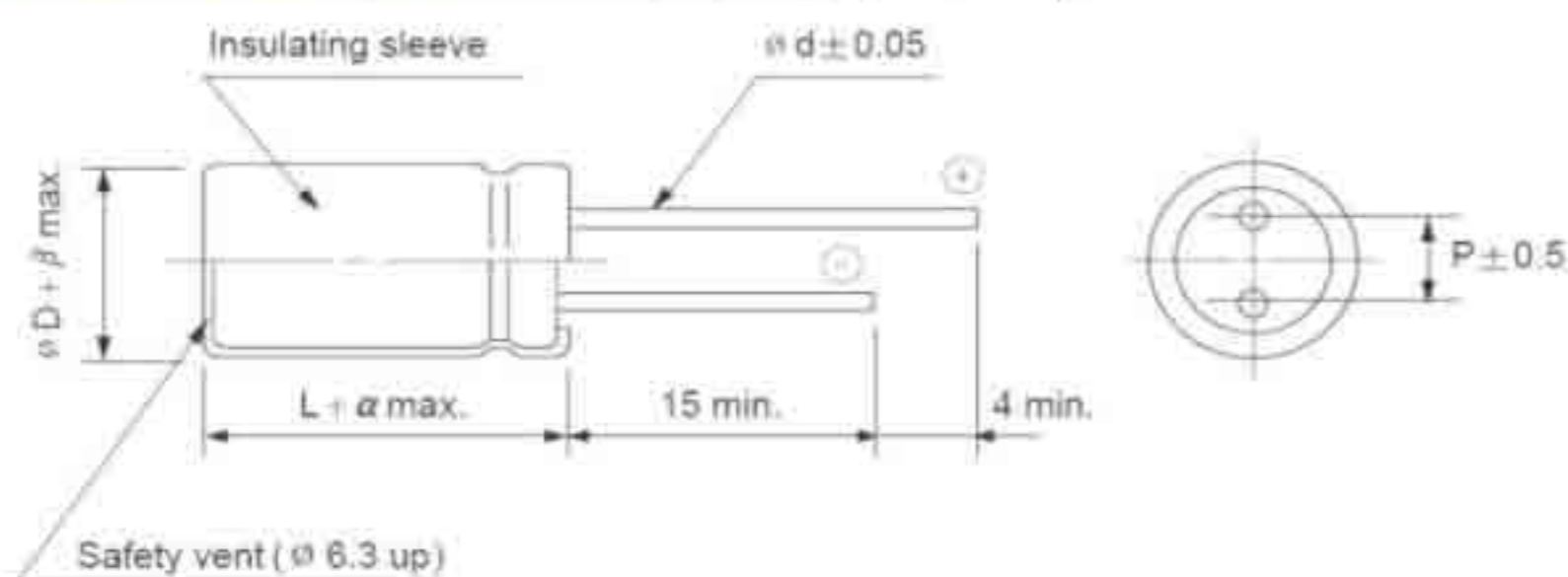
- 105°C, 10,000 hours assured.
- Especially designed for electronic energy saving lamps, LED lighting driver.
- RoHS compliant.



## SPECIFICATIONS

Item	Characteristics					
Rated Voltage Range	200 ~ 400 V <sub>DC</sub>			450V <sub>DC</sub>		
Operating Temp. Range	-40 ~ 105°C			-25 ~ 105°C		
Capacitance Tolerance	± 20% (20°C, 120Hz)					
Leakage Current (at 20°C)	Time		After 5 minutes			
	Leakage Current		CV ≤ 1,000 I ≤ 0.03CV + 15uA	CV > 1,000 I ≤ 0.02CV + 25uA		
Where, I : Max. leakage current (mA), C : Nominal capacitance (uF), V : Rated voltage (V)						
Dissipation Factor (Tan δ, at 20°C, 120Hz)	VV	200	250	400	450	
	Tan δ	0.20	0.20	0.20	0.24	
Temperature Characteristics (Max. Impedance Ratio)	Rated Voltage	200	250	400	450	
	Z-25°C/Z+20°C	3	3	5	6	
	Z-40°C/Z+20°C	6	6	6	-	
Load Life	Test Time	10,000Hrs (∅ 8: 8000Hrs)				
	Capacitance Change	Within ± 20% initial value				
	Dissipation Factor	Less than 200% of specified value				
	Leakage Current	Within specified value				
Shelf Life	Test Time	1,000 hrs				
	Capacitance Change	Within ± 20% initial value				
	Dissipation Factor	Less than 200% of specified value				
	Leakage Current	Less than 500% of specified value				
* The above specifications shall be satisfied when the capacitors are restored to 20°C after exposing them for 1,000 hrs at 105°C without voltage applied. The rated voltage shall be applied to the capacitors before the measurements.						
Ripple Current & Frequency Multipliers	Freq.(Hz)	60 (50)	120	1K	10K	100K
	Cap.(μF)					
	Under 10	0.42	0.50	0.80	0.90	1.00
C ≥ 10	0.45	0.58	0.85	0.92	1.00	

## DIAGRAM OF DIMENSIONS (Unit: mm)



## LEAD SPACING AND DIAMETER

Unit:mm

∅ D	8	10	13	16	18
P	3.5	5.0		7.5	
∅ d	0.5	0.6		0.8	
α	1.5	2.0			
β	0.5				

**Note:** All design and specifications are for reference only and is subject to change without prior notice. If any doubt about safety for your application, please contact us immediately for technical assistance before purchase



◆ DIMENSION & PERMISSIBLE RIPPLE CURRENT

Unit: mm

■ Ripple Current (Max.Value mA/rms) at 105°C 100KHz

V <sub>DC</sub> (v)	Cap. (uF)	φ8		φ10		φ13		φ16		φ18	
		φ DxL	R.C.	φ DxL	R.C.	φ DxL	R.C.	φ DxL	R.C.	φ DxL	R.C.
200	2.8	8x12	80								
	3.3	8x12	90								
	4.7			10x12	100						
	5.6			10x12	105						
	6.8			10x12	115						
	8.2			10x16	180						
	10			10x16	240						
	15			10x20	420						
	22					13x20	550				
	33					13x20	590				
	47					13x25	650				
	68							16x25	850		
100							16x31.5	1080			
250	2.2	8x12	70								
	2.8			10x12	85						
	3.3			10x12	100						
	4.7			10x12	115						
	5.6			10x16	140						
	6.8			10x16	160						
	8.2			10x16	180						
	10			10x20	240						
	15					13x20	460				
	22					13x20	560				
	33					13x25	610				
	47							16x25	720		
	68							16x31.5	920		
	100									18x31.5	1210

※: Produce custom product too, which are not found in these tables.



◆ DIMENSION & PERMISSIBLE RIPPLE CURRENT

Unit: mm

■ Ripple Current (Max.Value mA/rms) at 105°C 100KHz

V <sub>DC</sub> (v)	Cap. (uF)	8 φ		10 φ		13 φ		16 φ		18 φ	
		φ DxL	R.C.	φ DxL	R.C.	φ DxL	R.C.	φ DxL	R.C.	φ DxL	R.C.
400	1			10x12	70						
	1.5			10x12	85						
	1.8			10x16	90						
	2.2			10x16	95						
	2.8			10x16	100						
	3.3			10x16	110						
	4.7			10x20	130						
	5.6					13x20	170				
	6.8					13x20	225				
	8.2					13x20	270				
	10					13x20	300				
	15					13x25	390				
	22							16x25	550		
	33							16x31.5	620		
	47									18x35.5	860
68									18x40	870	
450	1.5			10x12	85						
	1.8			10x16	90						
	2.2			10x16	95						
	2.8			10x16	100						
	3.3			10x16	110						
	4.7			10x20	130						
	5.6					13x20	180				
	6.8					13x20	220				
	8.2					13x20	280				
	10					13x20	320				
	15					13x25	420				
	22							16x25	580		
	33							16x31.5	700		
	47									18x31.5	850
	68									18x40	890

※: Produce custom product too, which are not found in these tables.