

TAPING SPECIFICATIONS 编带标准

■ Drawing (Unit: mm) 外形图

Fig.01

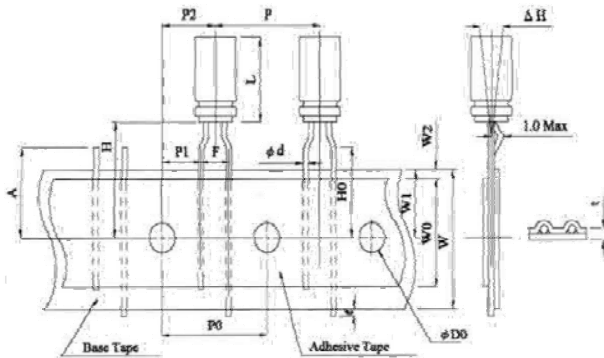


Fig.02

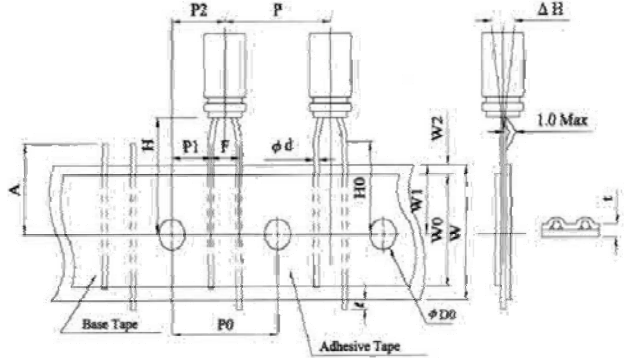


Fig.03

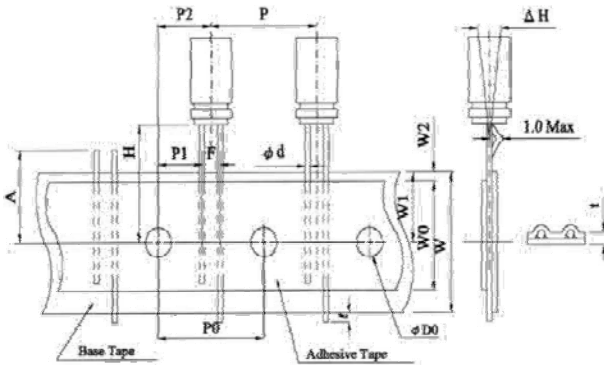
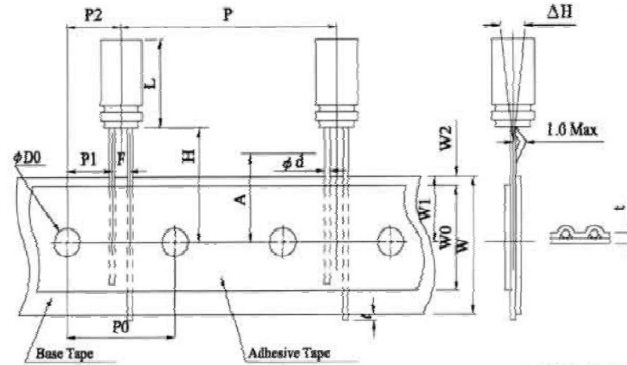


Fig.03



■ Dimensions (Unit: mm) 尺寸表

Symbol	TF									TS																							
	5			7~9			≥11			5			7~9			11.5~20			≥9														
ϕd	4	5	6.3	8	5	6.3	8	5	6.3	8	4	5	6.3	8	5	6.3	8	8	Tol.	10	13	Tol.											
F	5.0			5.0			5.0			2.5			2.5			3.5			3.5			+0.8/-0.2											
H	17.5			17.5			18.5			20.0			17.5			17.5			18.5			±0.75											
H ₀	16.0			16.0			16.0			---			---			---			±0.5			---											
P	12.7			12.7			12.7			12.7			12.7			12.7			±1.0			13			25								
P ₀	12.7			12.7			12.7			12.7			12.7			12.7			±0.2			12.7			±0.2								
P ₁	3.85			3.85			3.85			3.85			5.1			5.1			4.6			4.6			±0.5			3.85			±0.7		
P ₂	6.35			6.35			6.35			6.35			6.35			6.35			6.35			±1.0			6.35			±1.3					
W	18.0			18.0			18.0			18.0			18.0			18.0			18.0			±0.5			18.0			±0.5					
W ₀	6.0			10.0			10.0			12.0			6.0			10.0			12.0			Min			12.0			Min					
W ₁	9.0			9.0			9.0			9.0			9.0			9.0			9.0			±0.5			9.0			±0.5					
W ₂	1.5			1.5			1.5			1.5			1.5			1.5			1.5			Max			1.5			Max					
A	11.0			11.0			11.0			11.0			11.0			11.0			11.0			Max			11.0			Max					
ϕD_0	4.0			4.0			4.0			4.0			4.0			4.0			4.0			±0.2			4.0			±0.2					
ΔH	0			0			0			0			0			0			0			±1.0			0			±1.0					
ζ	1.0			1.0			1.0			1.0			1.0			1.0			1.0			Max			1.0			Max					
t	0.7			0.7			0.7			0.7			0.7			0.7			0.7			±0.2			0.7			±0.2					
Fig. No.	1			1			1			2			3			2			3			3			3			4					

Note: All design and specifications are for reference only and is subject to change without prior notice. If any doubt about safety for your application, Please contact us immediately for technical assistance before purchase.

注: 以上所提供的设计及特性参数仅供参考, 任何修改不作预先通知, 如有使用上任何疑问, 请在采购前与我们联系, 以便提供技术上的协助。